

Installation Guide

Limni 101 Freestanding Bath

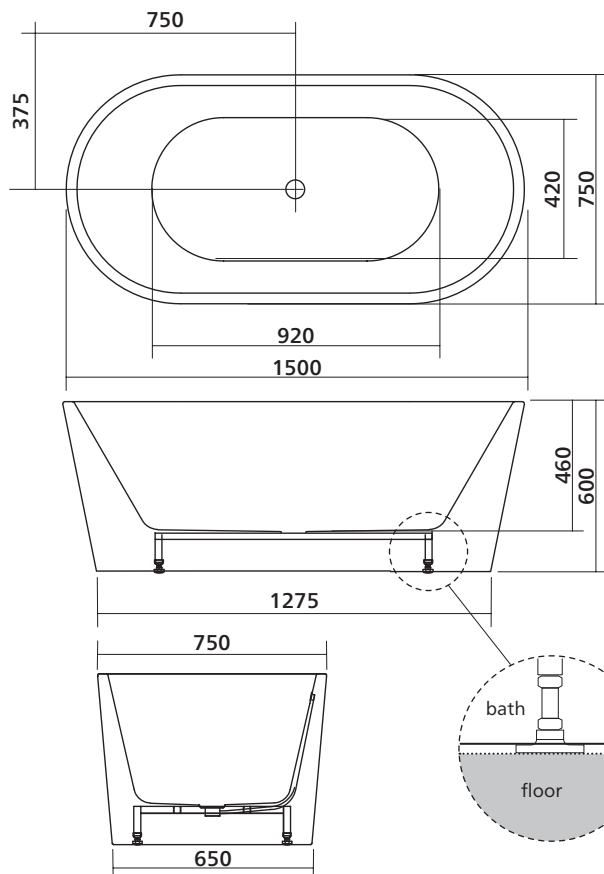
Important — read this first!

- 1 Inspect the bath **before installation** to ensure there are no visible defects. If a defect is found, do not install the bath and contact the supplier immediately. Claims for defects will not be accepted after the product has been installed.
- 2 The bath must be installed by a **licensed tradesperson**. Failure to do so may void the warranty.
- 3 Compliance with **AS.3740 Waterproofing of Wet Areas within Residential Buildings** applies when installing baths.
- 4 **Local authorities** may have specific installation requirements and this should be checked before installation.
- 5 Grade the **bath sub-floor** in accordance with requirements of local authorities. Grade sub-floor 1:60 minimum.

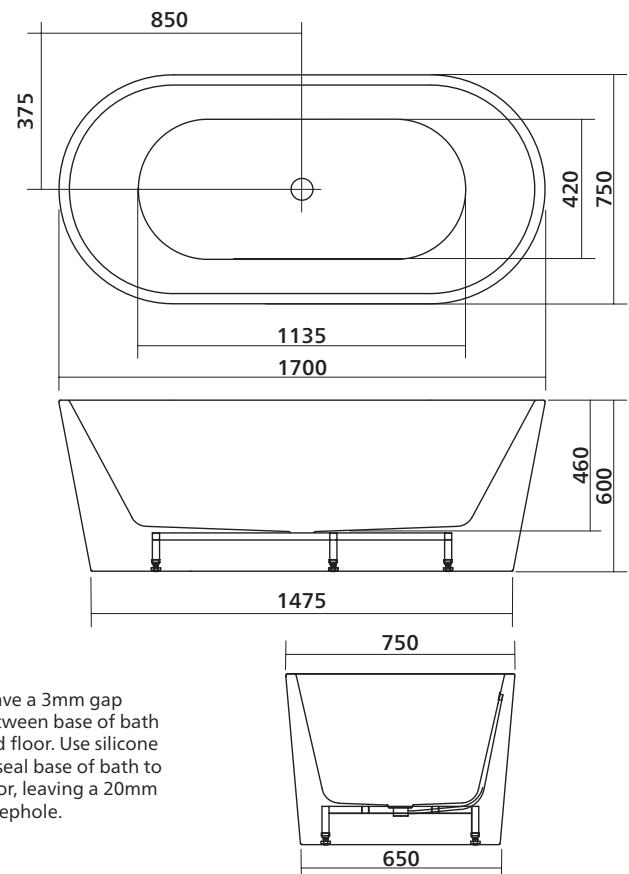
Installation notes

- 1 Use acetic cured silicone sealant. Do not use epoxy type adhesives.
- 2 Always use the actual product to verify placement.
- 3 The bath is supplied with four adjustable support feet on the base frame of the bath. Position the bath and use the adjustable feet to level the bath. Leave a 3mm void between the base of the bath and the floor. Use silicone around the base to seal the bath to the floor. Allow a 20mm gap in the silicone seal as a weephole (gap is designed to reveal any plumbing leakage).
- 4 **For non-overflow and optional overflow baths** — Bath can be installed using a flexible connector pipe (not supplied). Suits 40 mm waste (not supplied).
- 5 **For baths pre-installed with Smartfill** — Refer to the Smartfill instructions.

1500 MODEL



1700 MODEL



Leave a 3mm gap between base of bath and floor. Use silicone to seal base of bath to floor, leaving a 20mm weephole.

SEIMA

kitchen + laundry + bathroom ware

seima.com.au

Please note

- All measurements are in millimetres.
- Dimensions are nominal and subject to normal ceramic manufacturing variations of ± 5 mm.
- Fixing: Use acetic cured silicone sealant. Do not use epoxy type adhesives.
- Specifications may vary without notice as part of our continuous improvement practices.
- Clean with a damp cloth. Do not use abrasive cleaners, liquids or pastes.

Installation Guide for baths pre-installed with

Smartfill®

Bath filler + overflow by Seima

Important !

Must be installed by a licensed plumber in accordance with Australian Standard AS3500 and meet all requirements of local licensing authorities.

Smartfill system includes FlexiWaste overflow kit with Pop-out bath waste

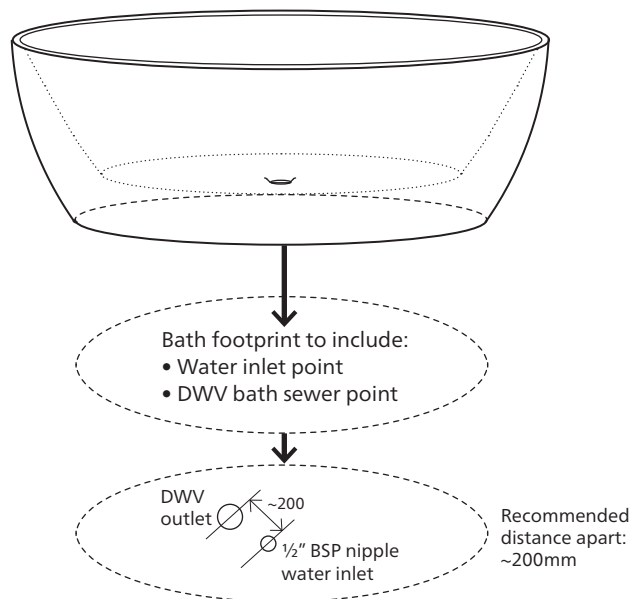
Smartfill Planning + Pre-lay Guide

The plumbing set-up for Smartfill normally requires advance planning, to place the plumbing inlet and outlet in the best positions for your bath location.

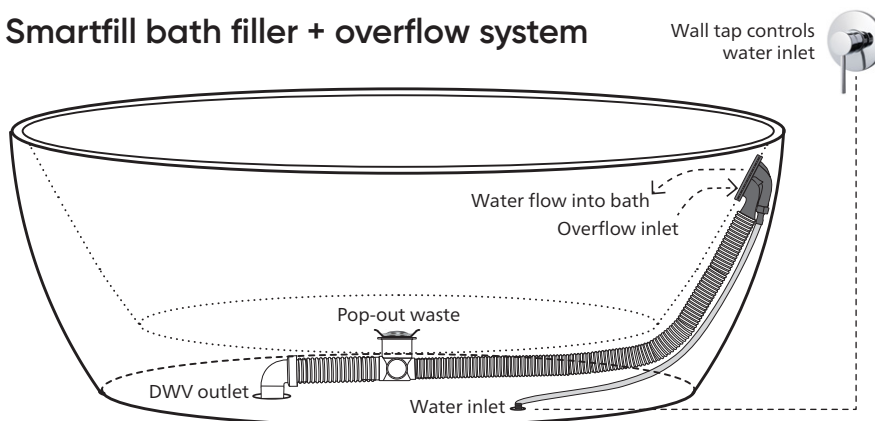
The Smartfill system simply requires the plumbing to be placed under the bath within the bath footprint:

- **Water Inlet Point**
1/2" BSP nipple — to protrude a minimum of 30mm above FFL (finished floor level).
(This water point will be controlled via a wall mixer or other tapware, to fill the bath.)
- **DWV Bath Sewer Point**
Water outlet

The water inlet nipple and waste outlet pipe can be placed anywhere within the footprint of the bath and there must be sufficient clearance for connection pipes. The recommended distance between the Water Inlet Point and DWV Point is around 200mm but this is not essential.



Smartfill bath filler + overflow system



SEIMA

kitchen + laundry + bathroom ware

seima.com.au



WaterMark

WMTS 040 LN 23422
ID: 192130, 191992,
191993



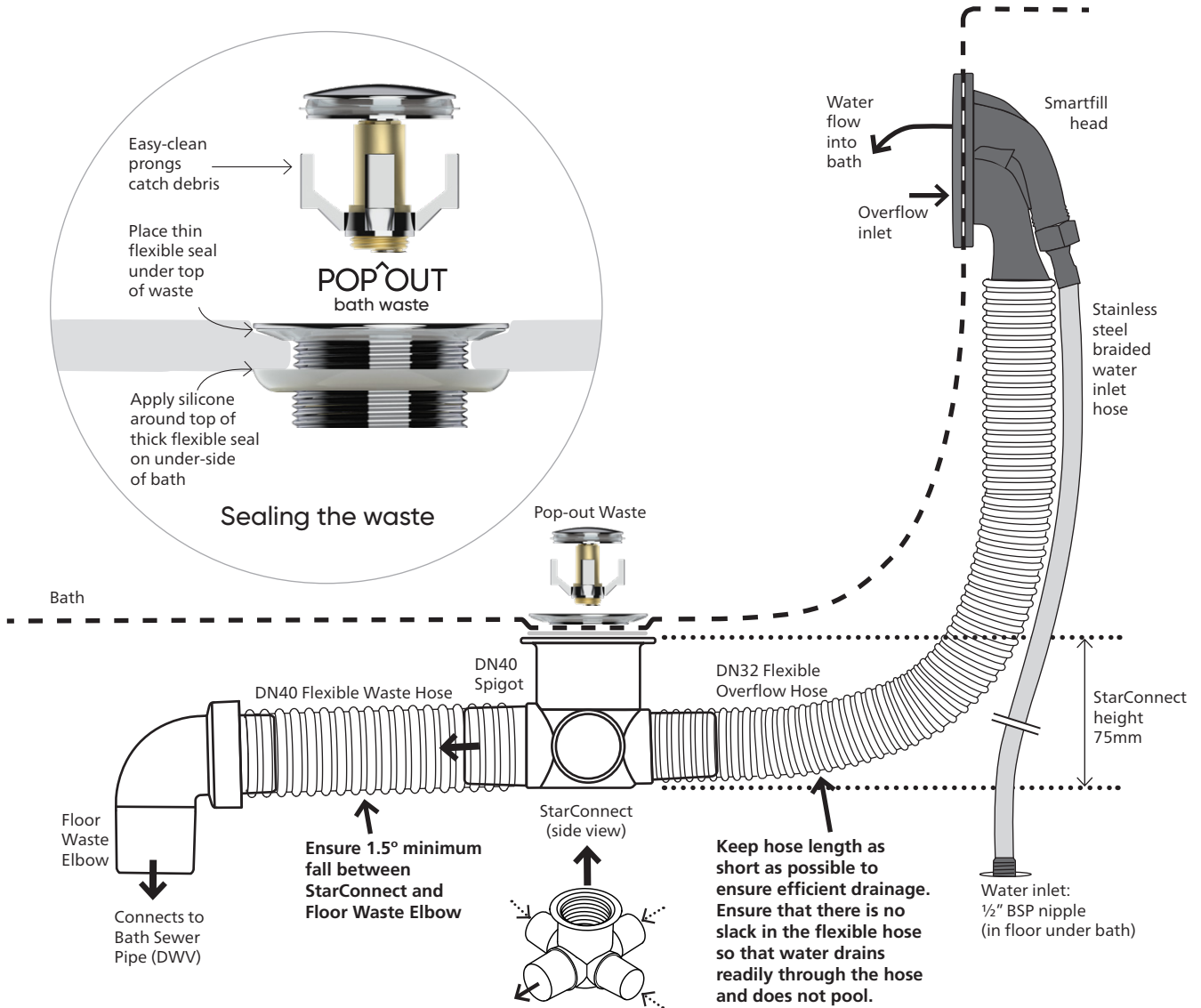
Designed and made in Australia
by Seima. This Seima innovation
is a patented, registered design.

Smartfill® Bath Filler + Overflow System

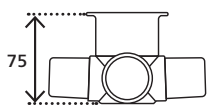
Main Diagram – The Smartfill System

Your bath will be supplied with the Smartfill head and connecting hoses pre-installed. The stainless steel braided water inlet hose and DN32 overflow hose will be visible under the bath.

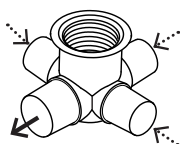
Please note: Placement of components and plumbing in diagram is for illustration purposes only.



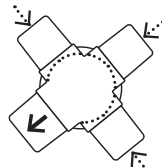
The StarConnect advantage



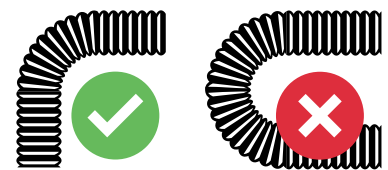
1 Ultra-low 75mm profile under bath



2 Multi-directional input + outlet options



3 Knock-out openings on all three DN32 spigots



IMPORTANT

- Do not overstretch flexible hose.
- Do not form angles in the hose of less than 90 degrees.

Installation Guide for baths pre-installed with Smartfill

Important

Read all instructions before starting installation.

The installation sequence shown here is a recommendation. The sequence can be changed to suit your circumstances.

Must be installed by a licensed plumber in accordance with Australian Standard AS3500.

Instructions – Steps

- 1 **PRE-INSTALLED SMARTFILL HEAD** The Smartfill device is supplied with the Smartfill head pre-installed. The stainless steel braided water inlet hose and DN32 overflow hose will be visible under the bath.
- 2 **REFER TO (A) IN DIAGRAM BELOW** Orientate the **StarConnect DN40 Spigot** to face towards the location of the floor waste. Note details of this positioning.
- 3 **REFER TO (B) IN DIAGRAM BELOW** With this orientation in mind, determine which **ONE** of the three **StarConnect DN32 Spigots** is the most appropriate to connect to the overflow.
- 4 **REFER TO (C) IN DIAGRAM BELOW** Carefully knock out the chosen **StarConnect DN32 Spigot**, using a hammer and screwdriver, to create an overflow water path. File or remove any burrs to ensure a clear water pathway. **CAUTION: DO NOT KNOCK OUT MORE THAN ONE SPIGOT.**

- 5 Measure and cut the **DN32 Flexible Overflow Hose** to an appropriate length, to connect the **Base of the Overflow Head** to the **DN32 Spigot** that has been knocked out for the overflow connection.
- 6 First take the **Pop-out Waste** and unscrew the brass nut from the base (discard nut, not required). Now remove the large clear rubber seal from the base. Apply silicone as indicated to ensure a watertight seal between the bath, waste and StarConnect. **REFER TO DIAGRAM IN CIRCLE IN MAIN DIAGRAM.**
- 7 Position the **Overflow Hose** to avoid rotational stress. Solvent weld the **Overflow Hose** to the open **DN32 Spigot** (the chosen spigot that you knocked out).
- 8 Measure and cut the appropriate length of **DN40 Flexible Waste Hose** to link the **DN40 Spigot** of the StarConnect to reach the floor waste location and **Floor Waste Elbow**.
- 9 Solvent weld the **DN40 Flexible Waste Hose** to link the **DN40 Spigot** and **Floor Waste Elbow**.
- 10 Fit the **Stainless Steel Braided Water Inlet Hose** to the water point under the bath (½" BSP nipple).
- 11 Install the **Floor Waste Elbow** to the floor trap or floor waste in accordance with AS3500.
- 12 Leak test the whole system as per AS3500 before enclosing.

Scan for Video instructions

